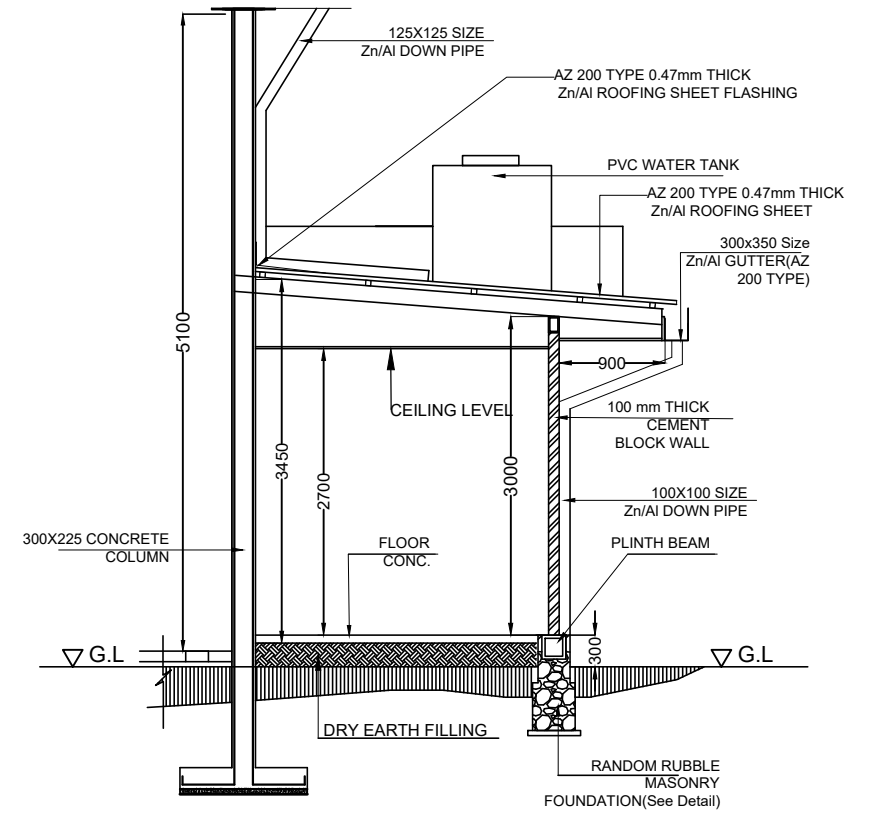


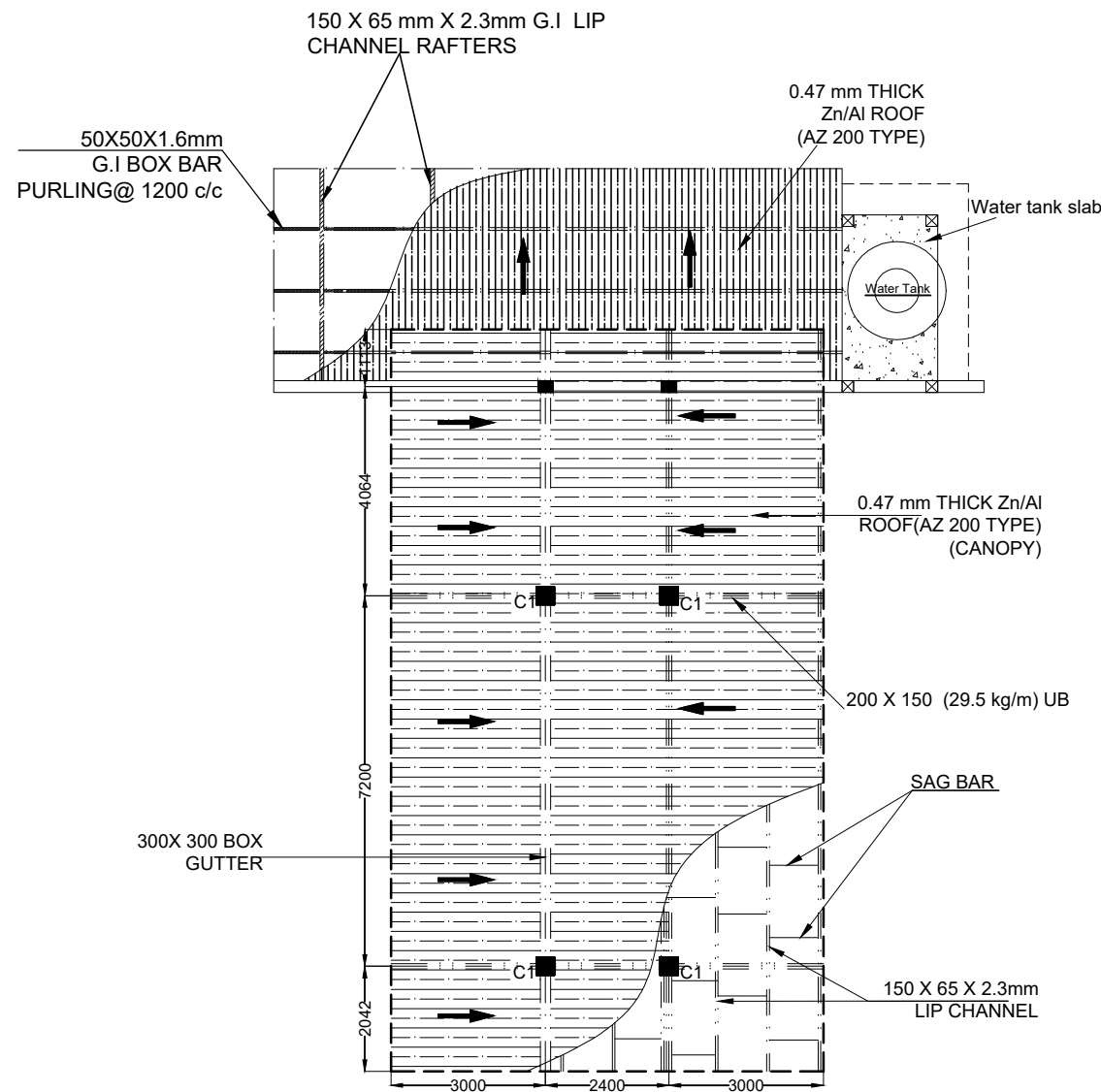
SIDE ELEVATION From - A

SCALE:1:100



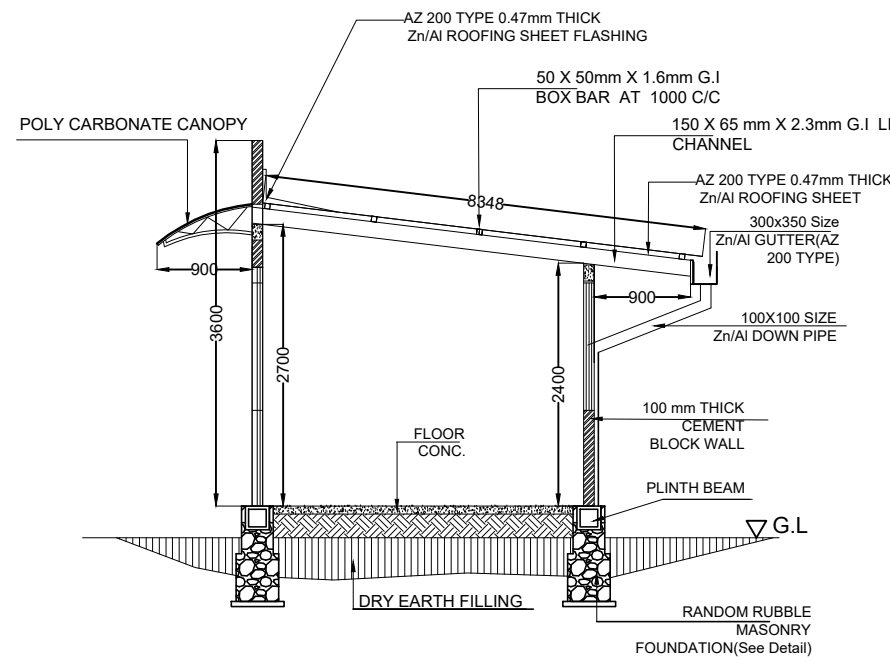
SECTION AT X-X

SCALE:1:50



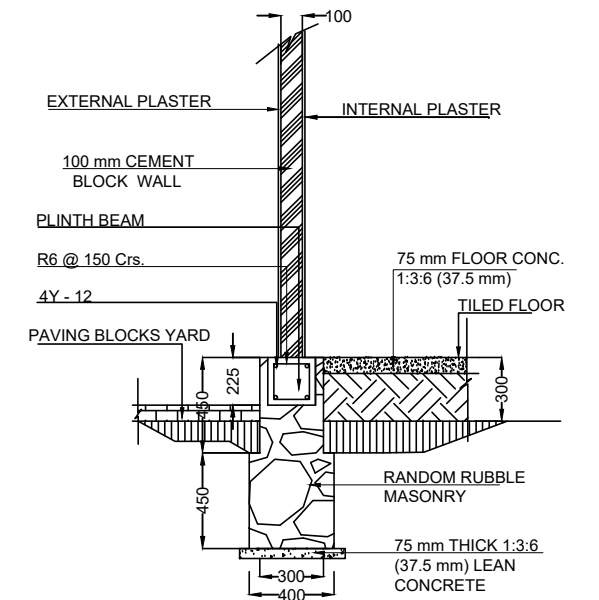
ROOF PLAN VIEW

SCALE:1:100




SECTION AT Z-Z

SCALE:1:50



DETAILS OF WALL FOUNDATION

SCALE - 1:25

PROJECT :		MODIFICATION OF L.F.S.ELLEPOLA -KANDY	
TITLE:		FOUNDATION & RETAINING WALL	
 <p>CEYLON PETROLEUM CORPORATION ENGINEERING DEPARTMENT NO. 609, DR. DANISTER DE SILVA MAWATHA, DEMATAGODA, COLOMBO -09, TP. NO. 5661717, 5661818 FAX 5455408</p>	Designed	R.S	
	Drawn	C.P	PRABATH
	Checked	R.S	
	Approved	G.P.K.Wijekoon Manager (E&P)	
	Scale	AS.SHOWN	Date:
Rev.No	Drawing No:		CEYPET/ENG/ 0646
			Sheet: 03 of 02